

EN

**TECHNICAL SPECIFICATION**

STANDARD 2 WAY SWITCH.  
RATED AT 10AX 250V~ AC ONLY.

**IMPORTANT NOTES**

PLEASE READ BEFORE INSTALLING

These products must be installed in accordance with the latest Building and IEE wiring regulations. If in any doubt, please contact a qualified electrician.

**BACK BOXES**

We recommend you to use a UK back box to install your product. Please note that the minimum recommended depth for the mounting box is 25mm. Back boxes are available to purchase from us, please see recommended sizes below:

| TOGGLE PLATE | RECOMMENDED BACK BOX         |
|--------------|------------------------------|
| 1G           | 1G UK Back box – SKU# ELB921 |
| 2G           | 2G UK Back Box – SKU# ELB922 |

**WARRANTY INFORMATION**

The Warranty Period of Two (2) years from the date of the original purchase.

**RECYCLING ELECTRICAL PRODUCTS**

Buster and Punch encourages all its customers to make note of this symbol and avoid putting any waste electrical goods in your domestic waste bin or container. Please ensure you take your waste electrical goods to a suitable facility for disposal.



**1**



**BEFORE COMMENCING WORK, ISOLATE THE MAINS POWER SUPPLY AND REMOVE THE FUSE IN THE FUSE BOX OR SWITCH OFF THE CIRCUIT BREAKER IN THE CONSUMER UNIT.**



**2**

If unit is to be used as a replacement for an existing product, remove existing unit from its location and disconnect the wiring.

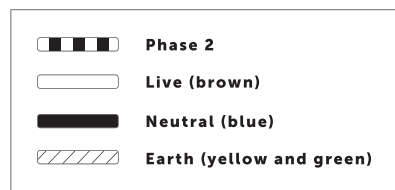
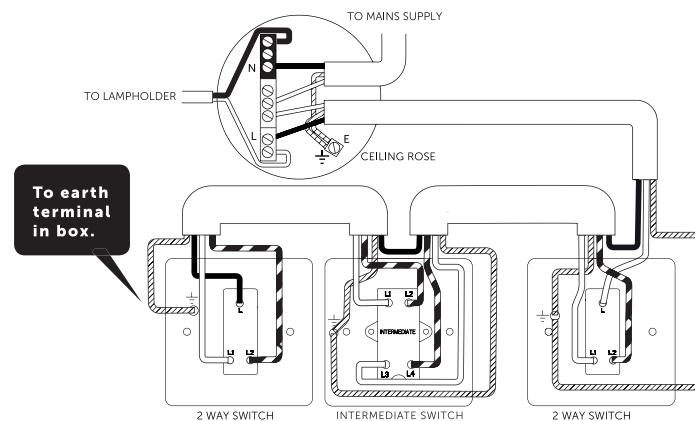


**CAUTION:**  
Verify power is OFF to switch before proceeding.

**3**

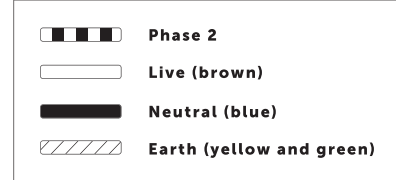
Certain items in the range will not fit into a 4 lug box. If such a box has been previously installed the top and bottom lugs should be removed or bent back to avoid contact with the interior.

**4 D) 10AX INTERMEDIATE SWITCH AND TOGGLE SWITCH**

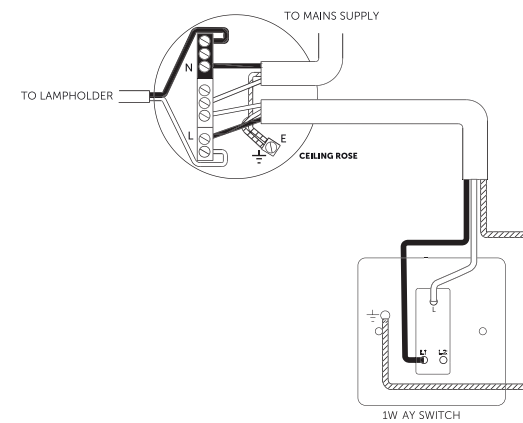


**4**

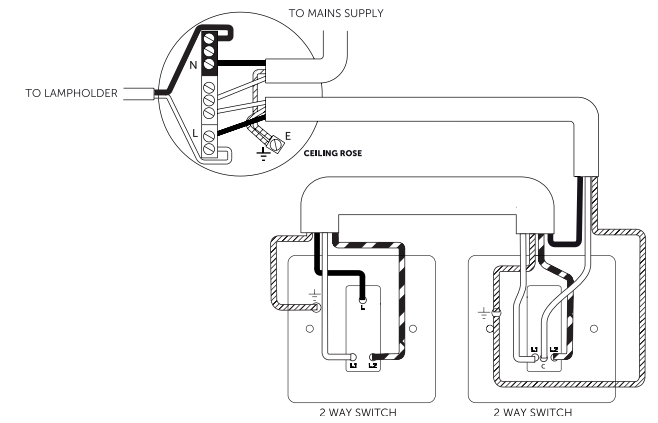
Connect the wires as shown in appropriate wiring diagrams. Use green/yellow sleeving on earth conductors that are not insulated. Ensure terminals are properly tightened and no bare wire is visible. Push back unit into moulding box making sure conductors are not trapped.



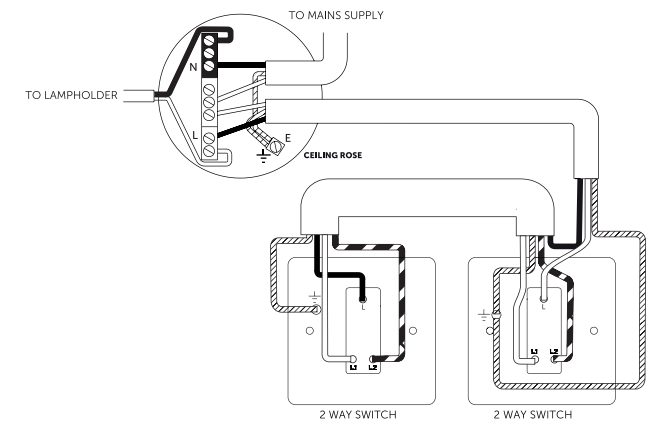
**4 A)**



**4 B) DIMMER ON 2 WAY CIRCUIT**



**4 C) 2 WAY CIRCUIT**

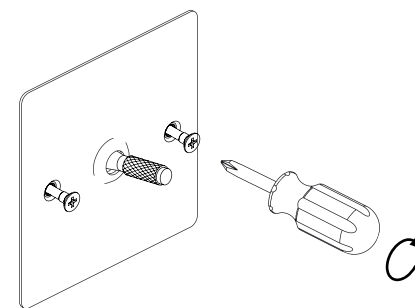


**5**

Use a cross head electric or manual screwdriver to fit the special countersunk screws until tight.\*



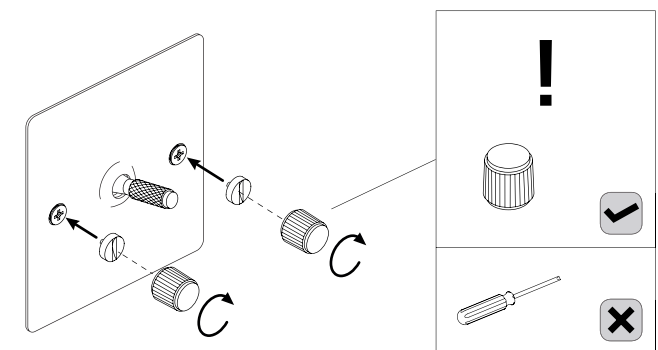
**CAUTION:**  
To reduce the risk of discolouration or tarnishing, avoid installation on wet plaster.



\* Please ensure screws are sufficiently tight to support the product but please do not over tighten as this may cause some deformation to the plate or damage the screw.

**6**

By hand, screw the coin caps into the end of the screws. Use the plastic coin cap tool to fully tighten the coin caps.\*\*



\*\* Do NOT use a standard screw driver to tighten the coin caps. This may damage the cap and is not covered under warranty. Plastic coin cap tool must be used by hand only.

**7**

Turn power back on.

